



Asphalt Milling Machine

[Orders](#)

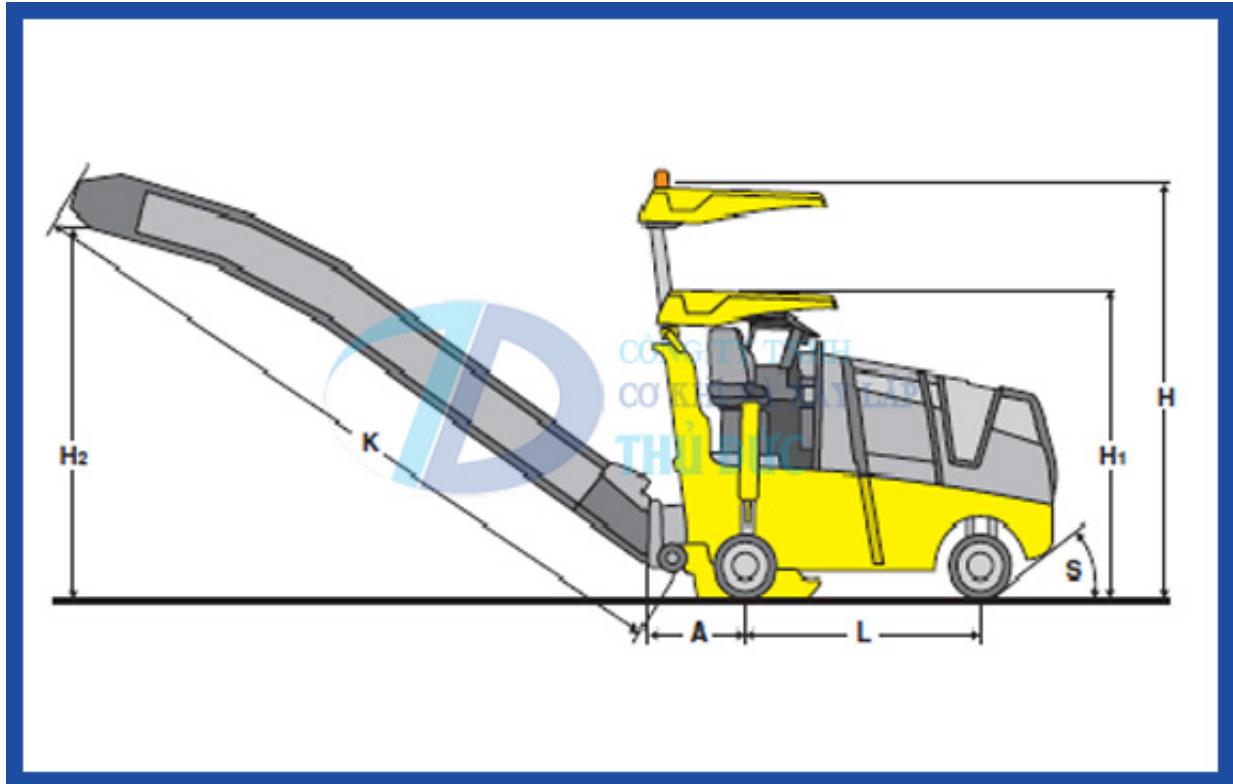
[Hotline](#)

[Chat zalo](#)

[Whatsapp](#)

[Facebook](#)

Plastic rakes and scraps used to scrape the surface of concrete roads to avoid the old plastic damaged to rinse the new side of the road in the maintenance and repair of roads.



Cutting drum

Cutting width: 500-600mm

Cutting depth: 0 - 210mm

Milling line space: in (mm) 0.59 (15) 0.59 (15)

Drum diameter: (700) mm

Number of cutting teeth: 58-64

Speed: 115/130 / 145rpm

Engine

Manufactured by: Deutz TCD 2012 Deutz TCD 2012

Water cooled

4 cylinders

Engine power: 125 kW

Speed: 2100 rpm

Key figures

Working speed: 0-30m / min

Movement speed: 0-6km / min

Fuel tank: 230L

Conveyor capacity: 85M3 / hour

Belt width: 400mm

Total weight (without conveyor): 8400Kg

Dimensions: 3735x1635x2750

Related Products

Currently there are no news items.